



2017 TOWN OF HAW RIVER Recycling Information



You CAN Recycle

Newspaper
Junk Mail
Office Paper
Magazines
Phone Books
Flattened Cardboard
Cereal and Cracker Boxes

Plastic Containers #1-7
Glass Food Bottles
Glass Food Jars
Aluminum Cans
Steel Food Cans
Shredded Paper
Newspaper Inserts

DO NOT RECYCLE

Medical Waste
Garbage
Yard Waste
Pyrex or Ceramics
Plate Glass
Light bulbs
Styrofoam

Plastic Bags
Mirrors
Plastic Toys
Pizza Boxes
Aluminum Foil
Electronics
Hazardous Waste

January

S	M	T	W	T	F	S
1	2	3	4	5	6	7
8	9	10	11	12	13	14
15	16	17	18	19	20	21
22	23	24	25	26	27	28
29	30	31				

February

S	M	T	W	T	F	S
			1	2	3	4
5	6	7	8	9	10	11
12	13	14	15	16	17	18
19	20	21	22	23	24	25
26	27	28				

March

S	M	T	W	T	F	S
			1	2	3	4
5	6	7	8	9	10	11
12	13	14	15	16	17	18
19	20	21	22	23	24	25
26	27	28	29	30	31	

April

S	M	T	W	T	F	S
						1
2	3	4	5	6	7	8
9	10	11	12	13	14	15
16	17	18	19	20	21	22
23	24	25	26	27	28	29
						30

May

S	M	T	W	T	F	S
	1	2	3	4	5	6
7	8	9	10	11	12	13
14	15	16	17	18	19	20
21	22	23	24	25	26	27
28	29	30	31			

June

S	M	T	W	T	F	S
			1	2	3	
4	5	6	7	8	9	10
11	12	13	14	15	16	17
18	19	20	21	22	23	24
25	26	27	28	29	30	

July

S	M	T	W	T	F	S
						1
2	3	4	5	6	7	8
9	10	11	12	13	14	15
16	17	18	19	20	21	22
23	24	25	26	27	28	29
30	31					

August

S	M	T	W	T	F	S
			1	2	3	4
5	6	7	8	9	10	11
12	13	14	15	16	17	18
19	20	21	22	23	24	25
26	27	28	29	30	31	

September

S	M	T	W	T	F	S
					1	2
3	4	5	6	7	8	9
10	11	12	13	14	15	16
17	18	19	20	21	22	23
24	25	26	27	28	29	30

October

S	M	T	W	T	F	S
1	2	3	4	5	6	7
8	9	10	11	12	13	14
15	16	17	18	19	20	21
22	23	24	25	26	27	28
29	30	31				

November

S	M	T	W	T	F	S
			1	2	3	4
5	6	7	8	9	10	11
12	13	14	15	16	17	18
19	20	21	22	23	24	25
26	27	28	29	30		

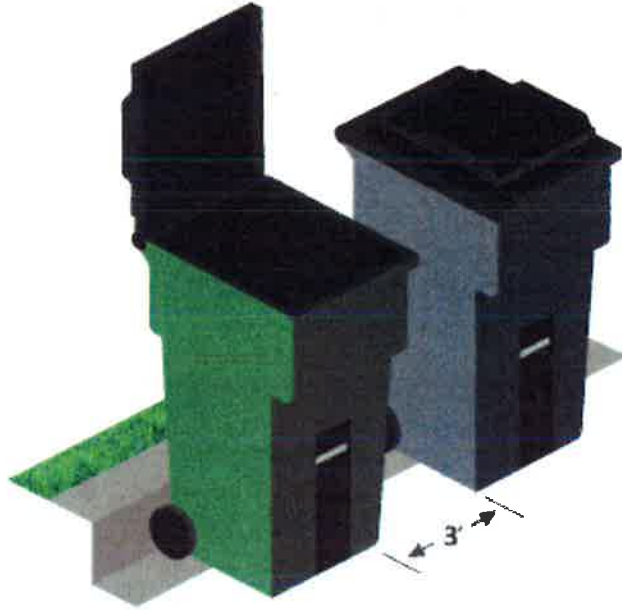
December

S	M	T	W	T	F	S
						1
2	3	4	5	6	7	8
9	10	11	12	13	14	15
16	17	18	19	20	21	22
23	24	25	26	27	28	29
30	31					

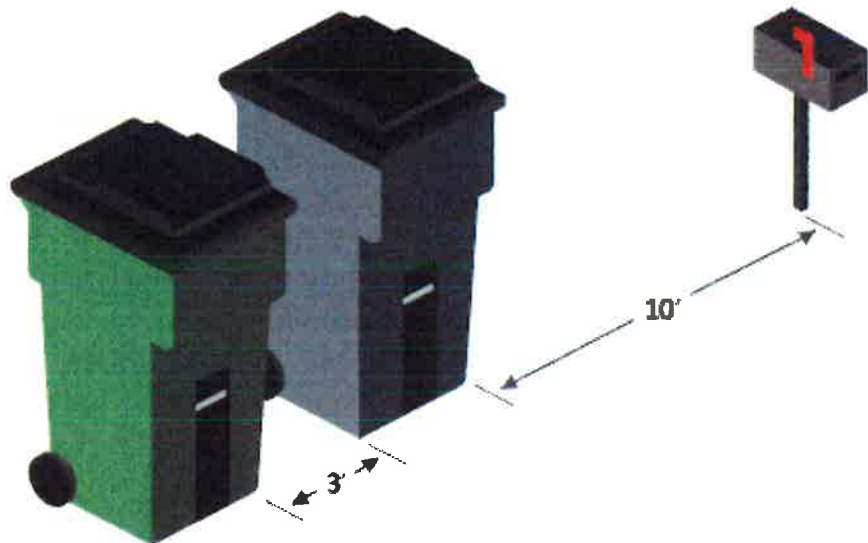
**Questions regarding what you can and cannot recycle?
Call Waste Industries Recycling at (336) 229-0525**

Placing Your Trash for Curbside

- Place your trash can and recycling bin at the curb with the wheels facing your house and the lid opening into the street.



- Keep your garbage cans three feet apart and 10 feet from any obstacles such as mailboxes, cars, lamp posts, or power lines.



- Keep your container at the curb if it hasn't been collected until the end of the day. Sometimes the timing of our arrival changes, and we don't want to miss you if we come later or earlier than expected.